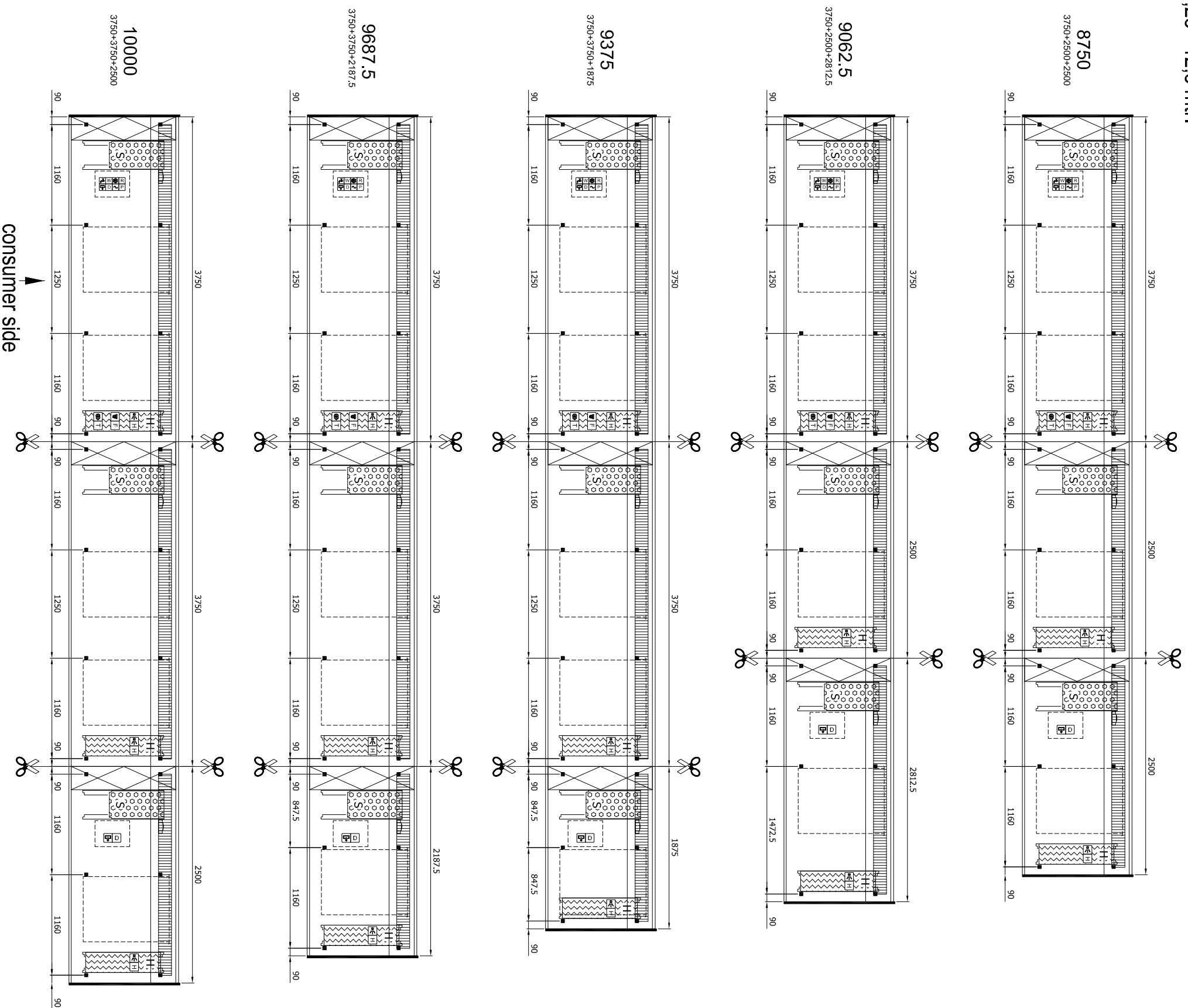


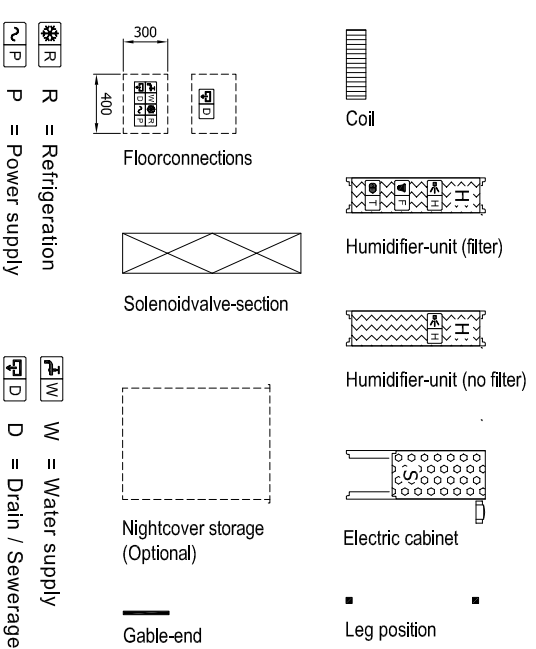
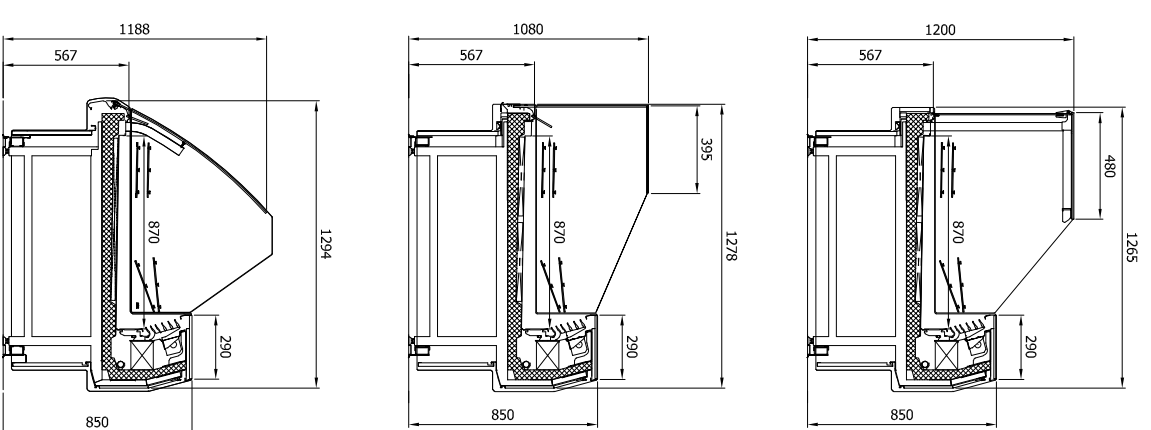
SMEVA Vision MKII A

Schematic topview Counters 1,25 - 12,5 mtr.
Sheet 4/6 (8,75 - 10 mtr.)



Vision MKII "Assisted"

(scale 1:20)



R = Refrigeration
P = Power supply
W = Water supply
D = Drain / Sewerage

Customer:	R & D	Projection:	Rev. date:	15-07-2016
Department:	R & D	Drawn by:	Rev. date:	01-02-2019
Project:	VISION MKII	Scale:	1:25	
P R O D U C T S				
This drawing remains property of SMEVA and cannot be used for other products without written permission.				
Title:	VISION MKII A - FLOORPLAN 8,75 - 10mtr.			
Scale:	A1			
Rev.:	03			