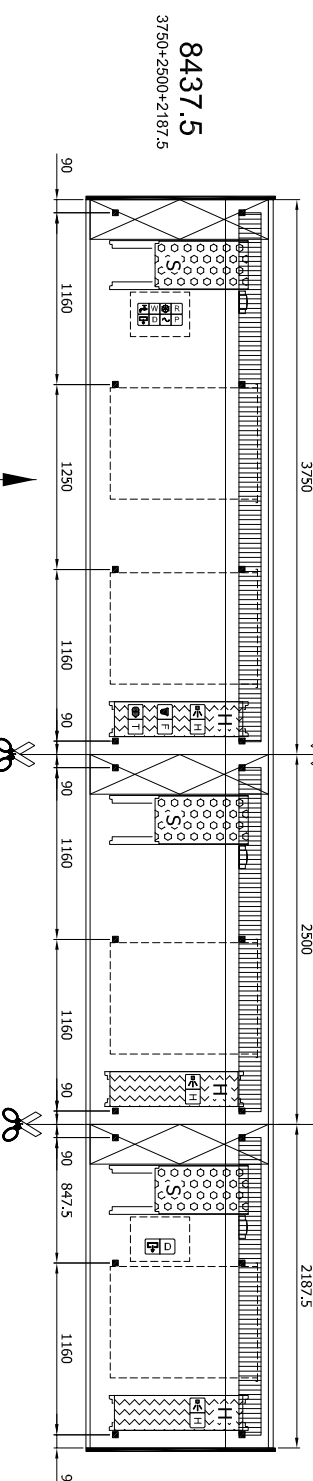
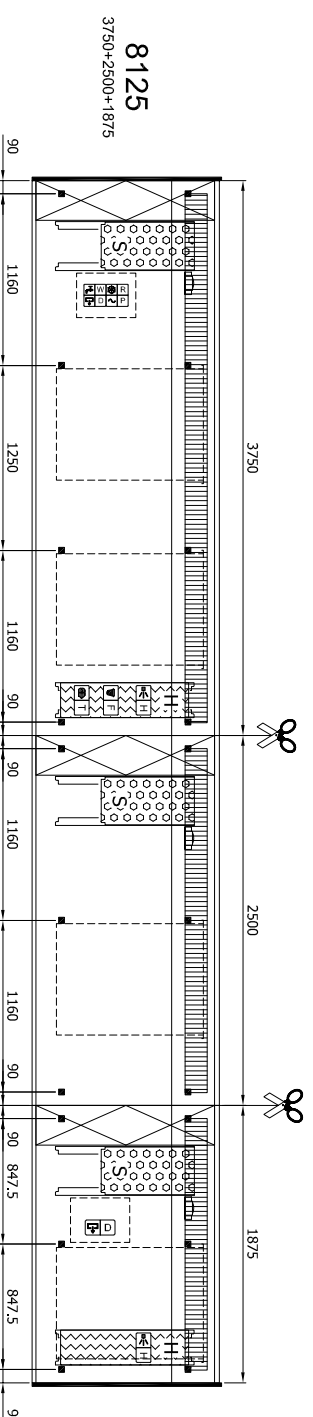
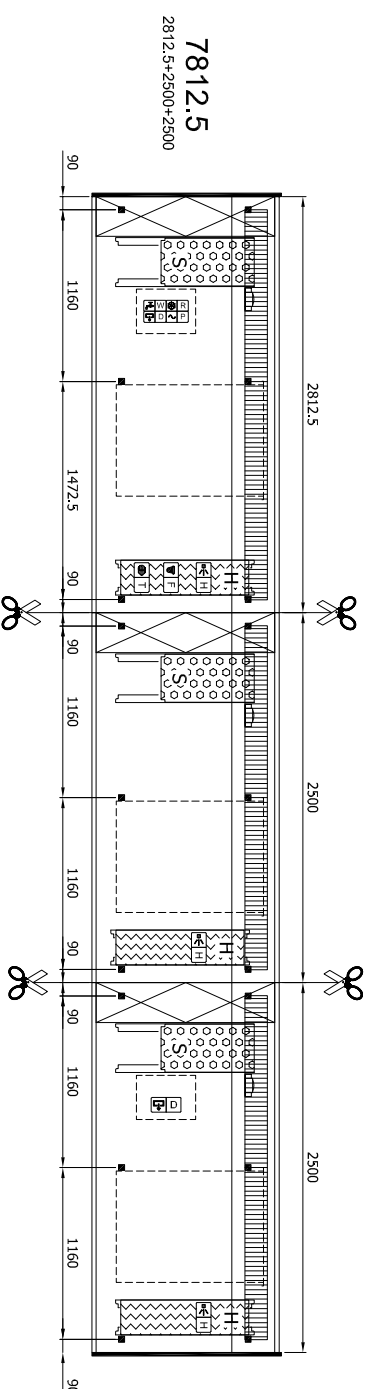
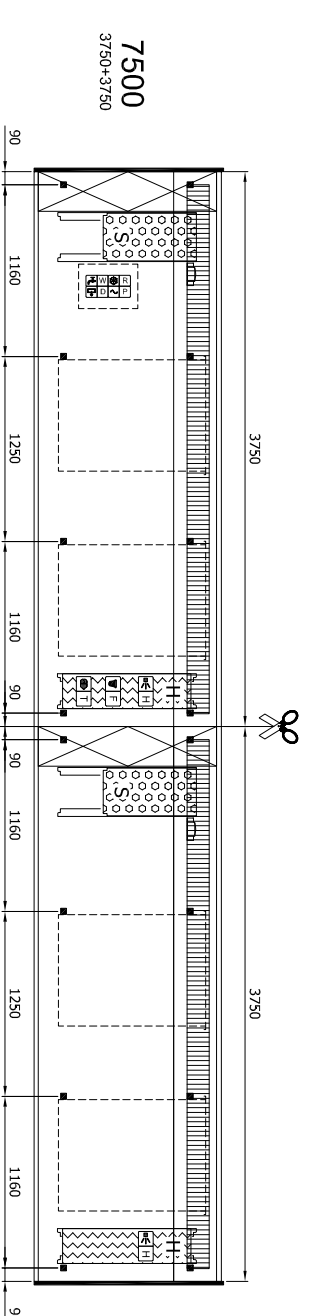
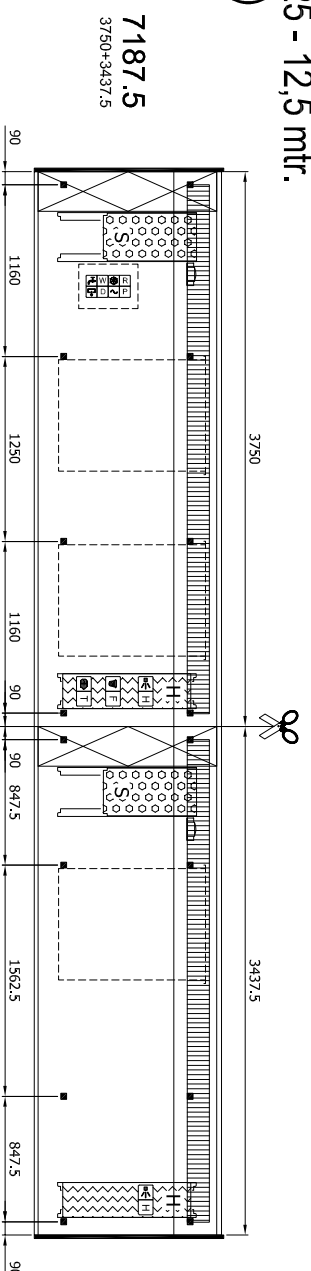


# SMEVA Vision MKII A

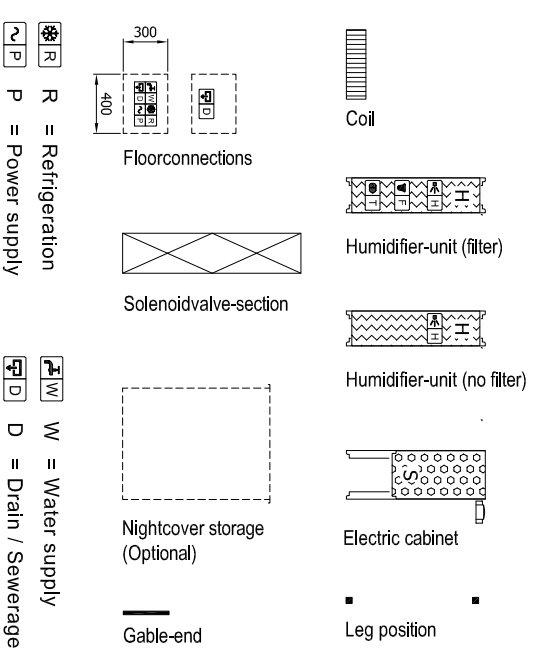
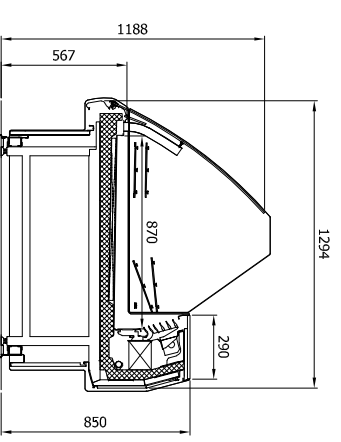
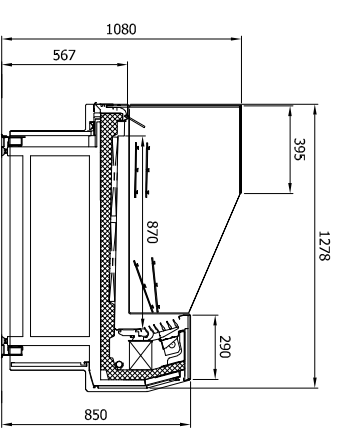
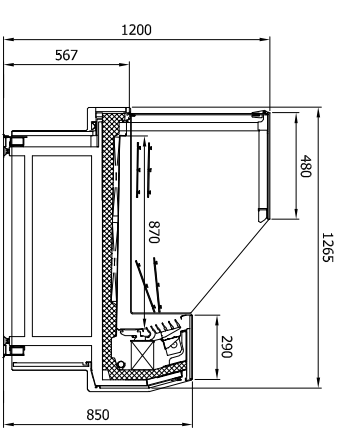
Schematic topview Counters 1,25 - 12,5 mtr.  
Sheet 3/6 (7,1875 - 8,4375 mtr.)

## Vision MKII "Assisted"

(scale 1:20)



consumer side



Customer:	VISION MKII	Condition code:	15-07-2016
Department:	R & D	Rev. date:	01-02-2019
Project:	VISION MKII	Drawn by:	PL
		Scale:	1:25
		The drawing remains property of SMEVA and cannot be used for other projects without written permission.	
Title: VISION MKII A - FLOORPLAN 7,1875 - 8,4375mtr.		Size: A1	
Sales drawing		Rev.: 03	