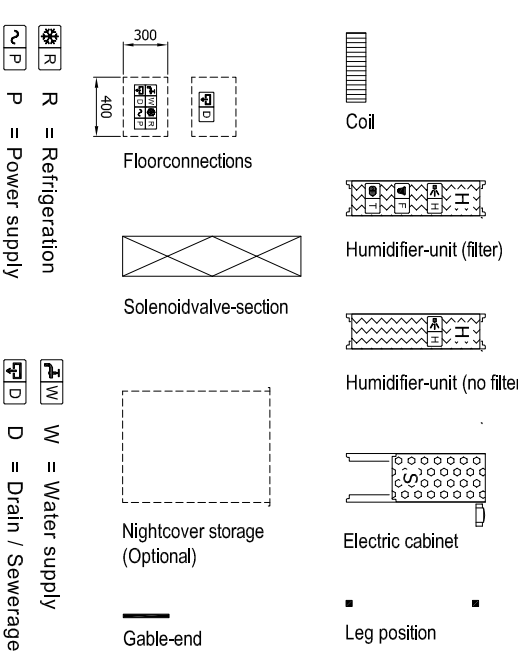
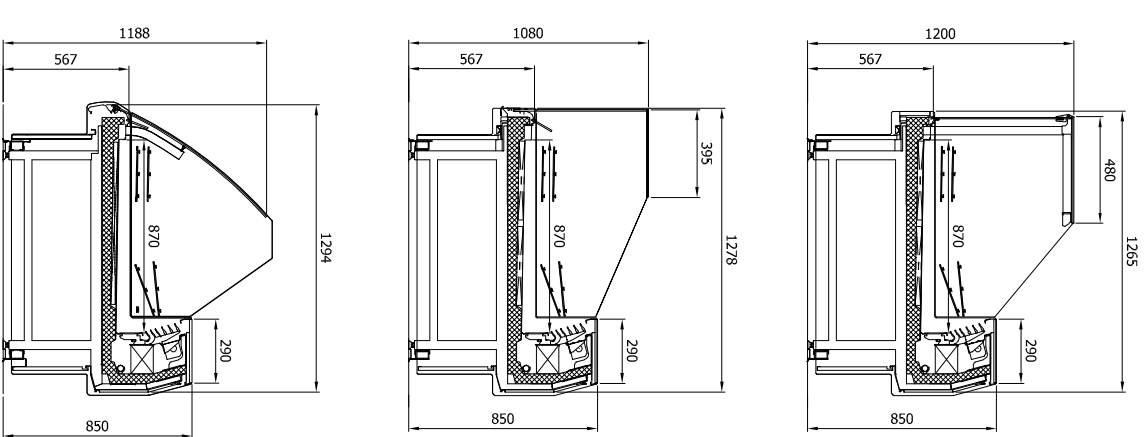
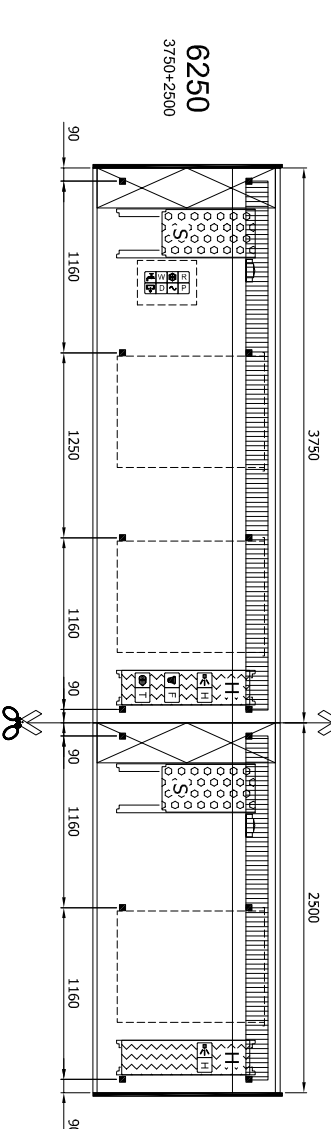
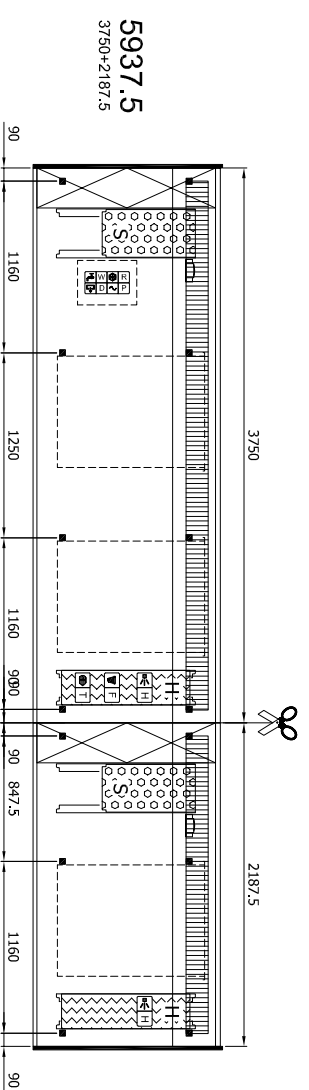
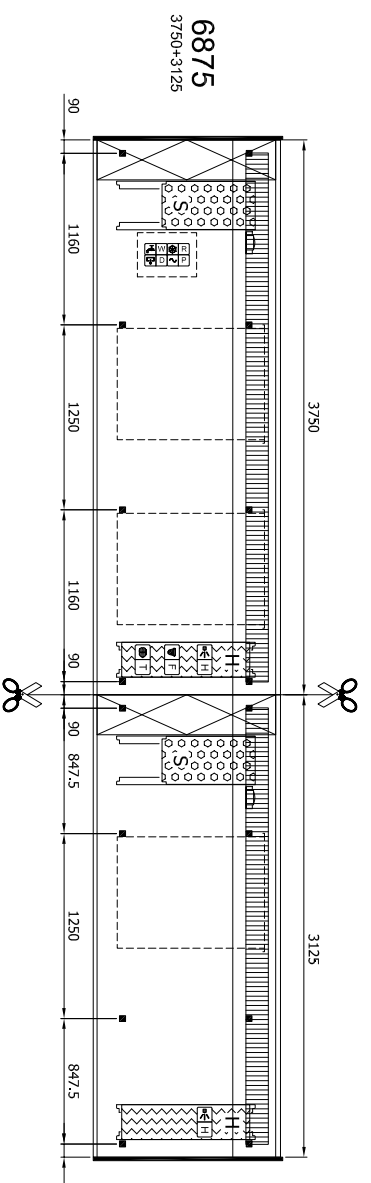
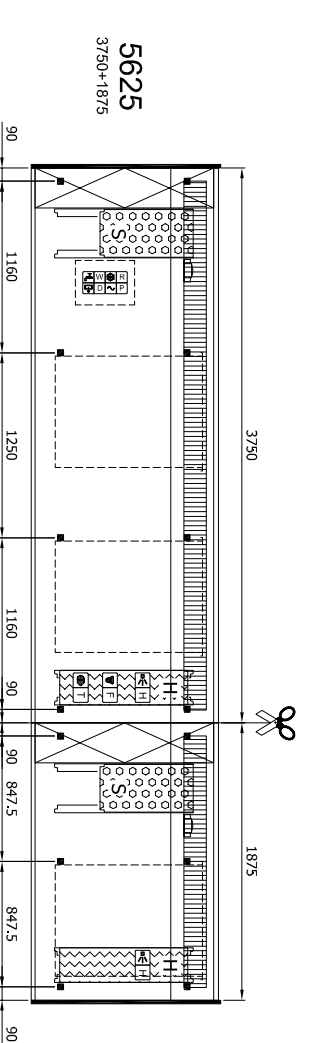
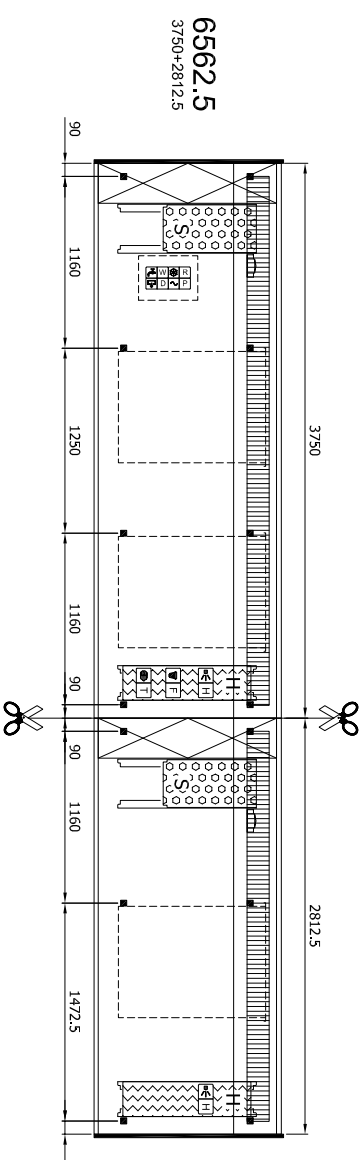
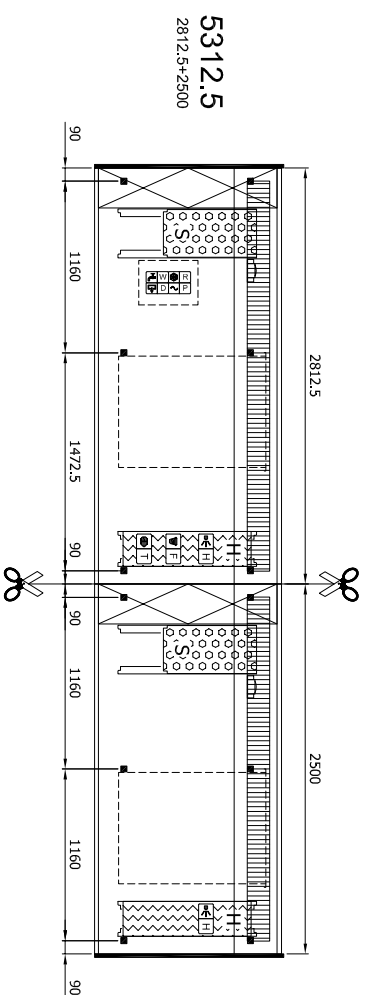


SMEVA Vision MKII A

Schematic topview Counters 1,25 - 12,5 mtr.
Sheet 2/6 (5,3125 - 6,875 mtr.)

Vision MKII "Assisted"

(scale 1:20)



consumer side

consumer side

Customer:	R & D	Project:	VISION MKII
Department:	R & D	Project:	VISION MKII
Revision:	01-02-2019	Scale:	1:25
Condition code:	15-07-2016	Drawn by:	PL
Customer:	R & D	Project:	VISION MKII
Department:	R & D	Project:	VISION MKII
Revision:	01-02-2019	Scale:	1:25
Condition code:	15-07-2016	Drawn by:	PL
Customer:	R & D	Project:	VISION MKII
Department:	R & D	Project:	VISION MKII
Revision:	01-02-2019	Scale:	1:25
Condition code:	15-07-2016	Drawn by:	PL

PRODUC TS

This drawing remains property of SMEVA Industries and cannot be used for other projects without written permission of SMEVA Industries.

 Size: A1