

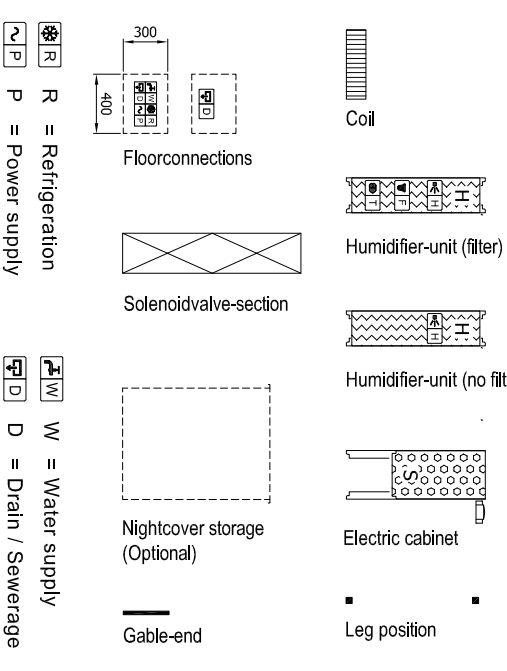
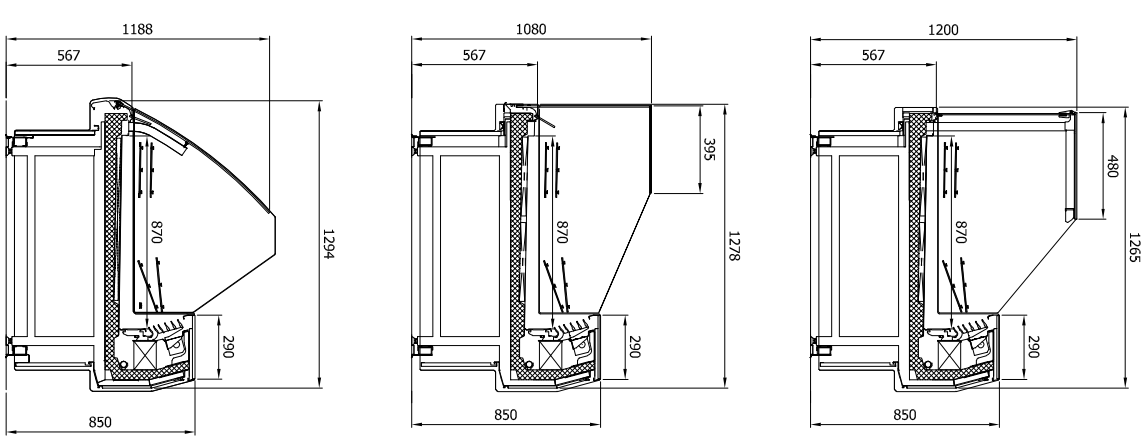
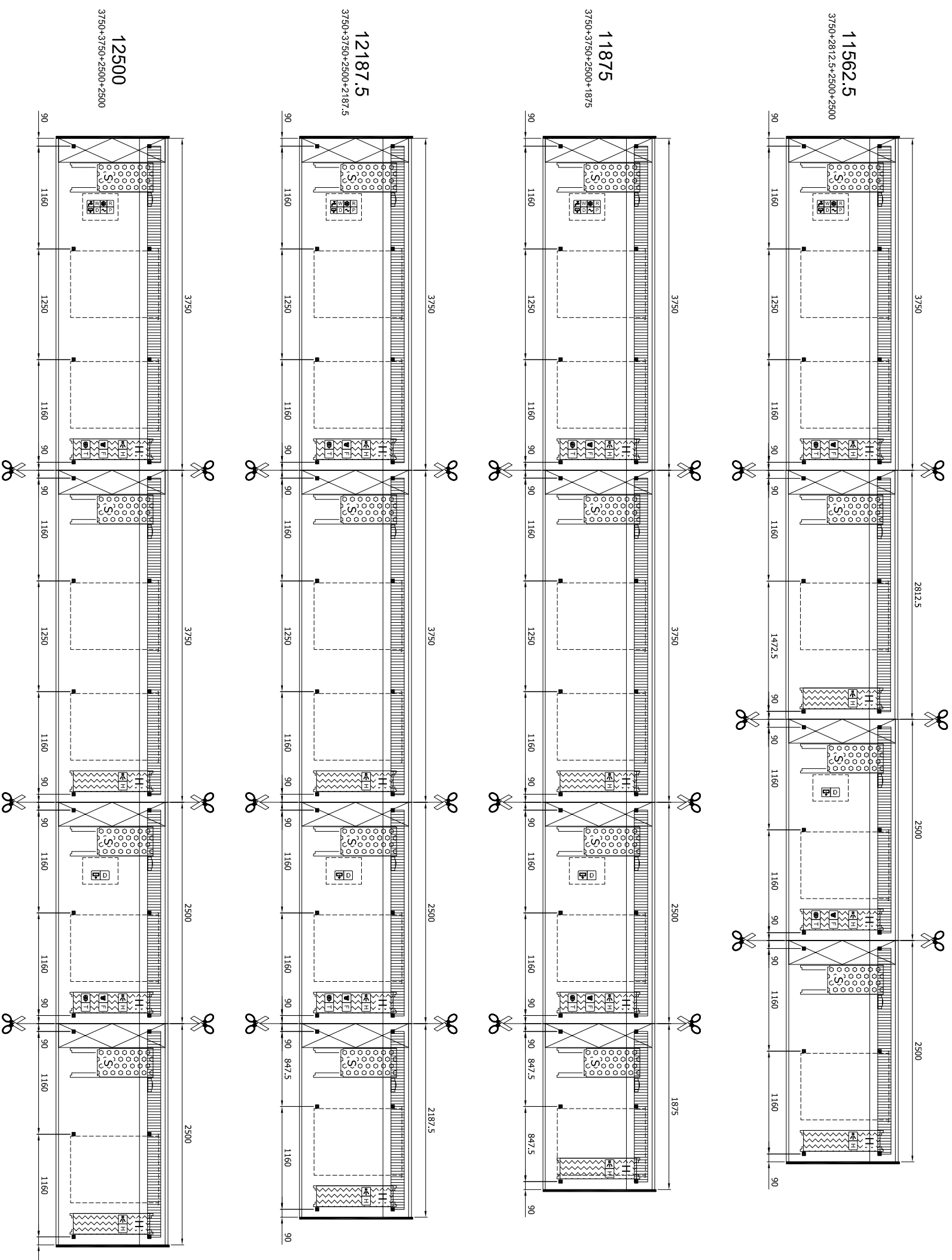
SMEVA Vision MKII A

Schematic topview Counters 1,25 - 12,5 mtr.

Sheet 6/6 (11,5625 - 12,5 mtr.)

Vision MKII "Assisted"

(scale 1:20)



Customer:	R & D	Projector:	Revision:	15-07-2016
Department:	R & D	Drawn by:	Revision:	01-02-2019
Project:	VISION MKII	Scale:	1:25	
P R O D U C T S				
This drawing remains property of SMEVA and is not to be used for any other purpose without written permission of SMEVA.				
Title:	VISION MKII A - FLOORPLAN 11,5625 - 12,5mtr.			
Scale:	A1			
Rev.:	03			