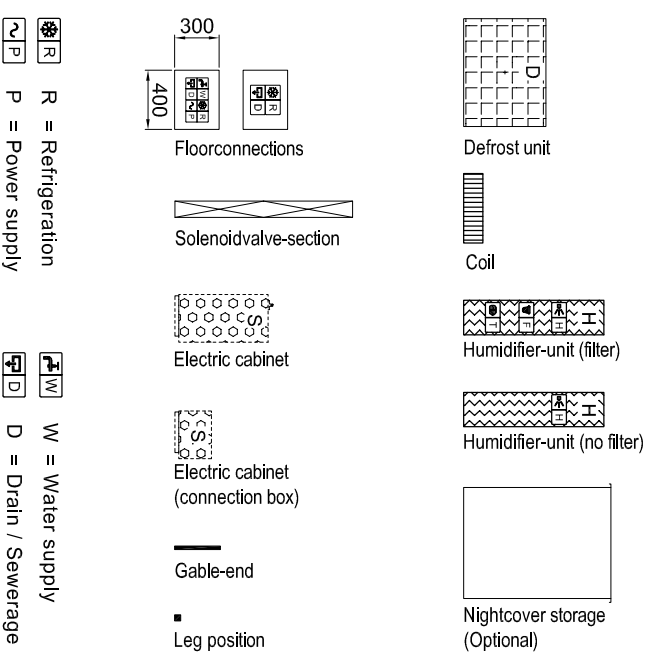
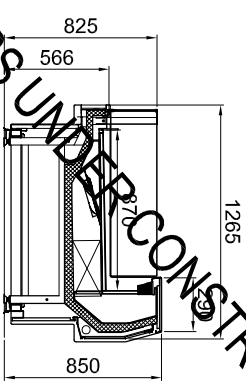
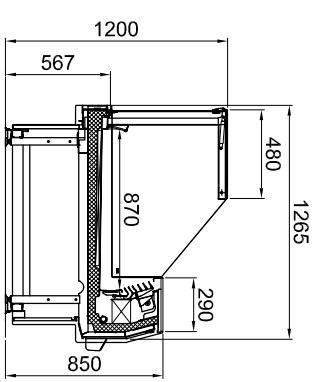
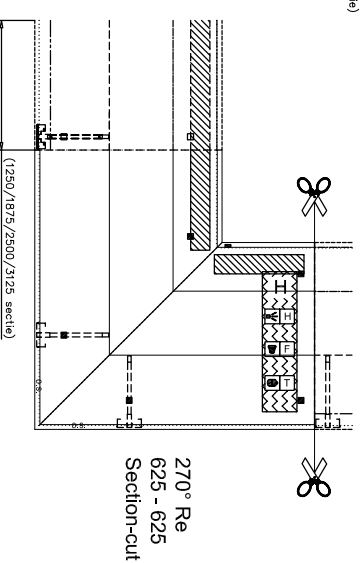
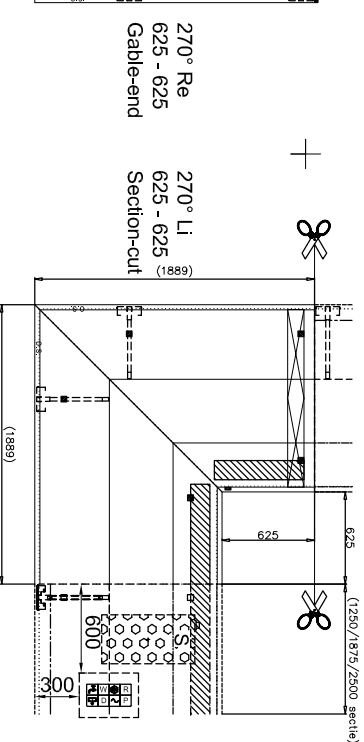
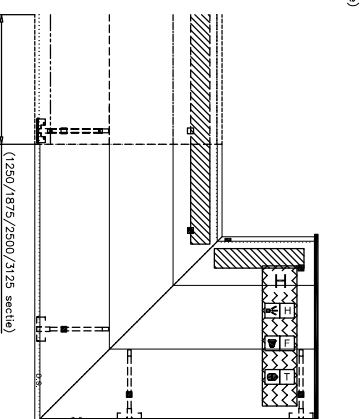
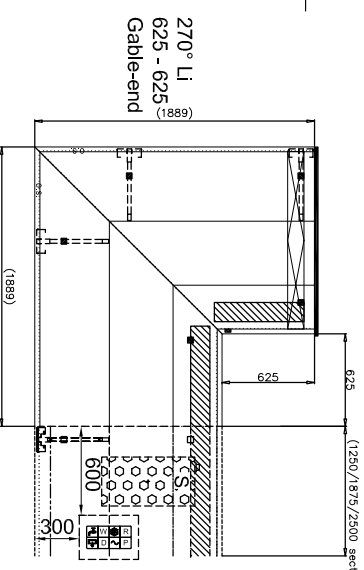
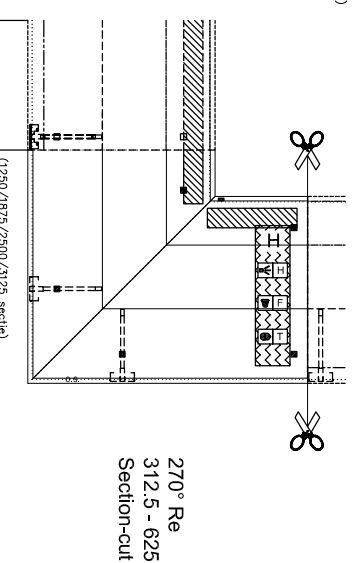
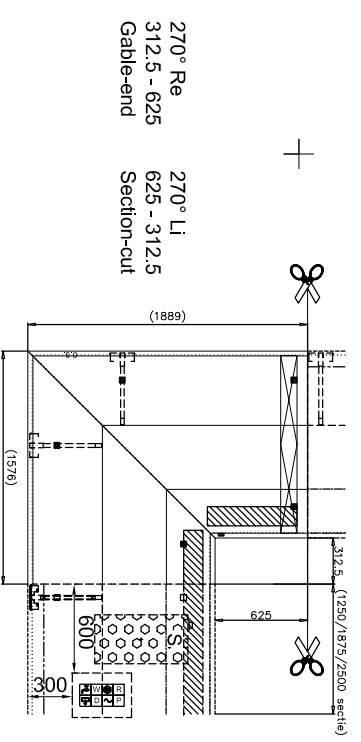
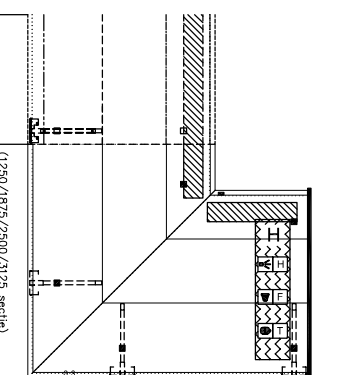
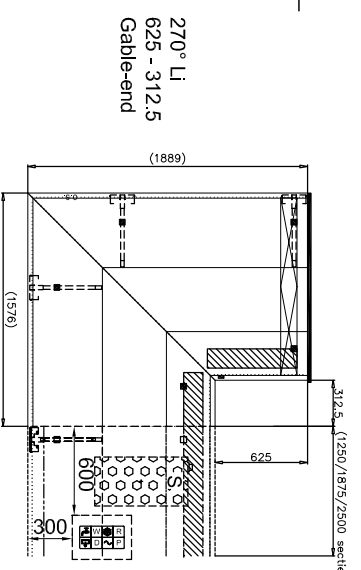
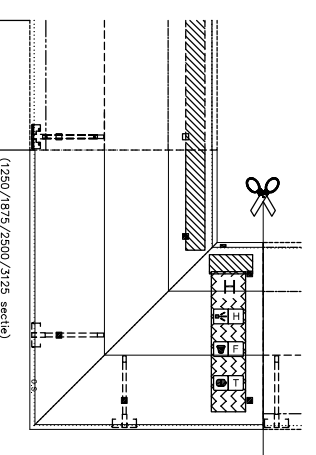
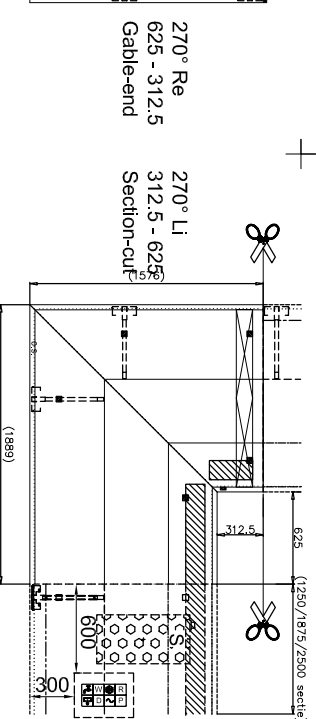
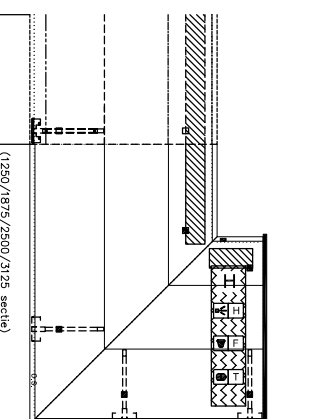
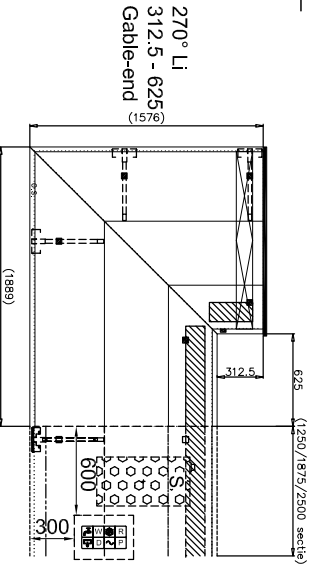
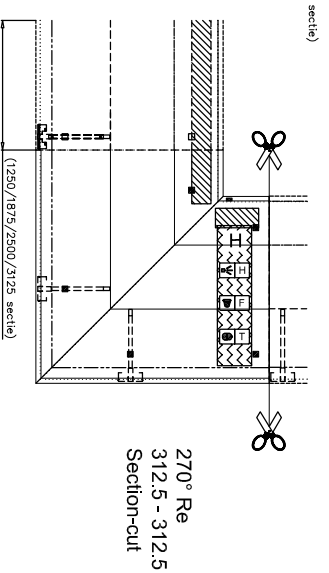
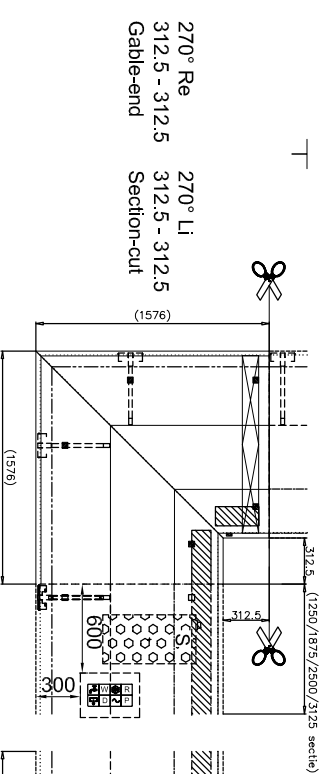
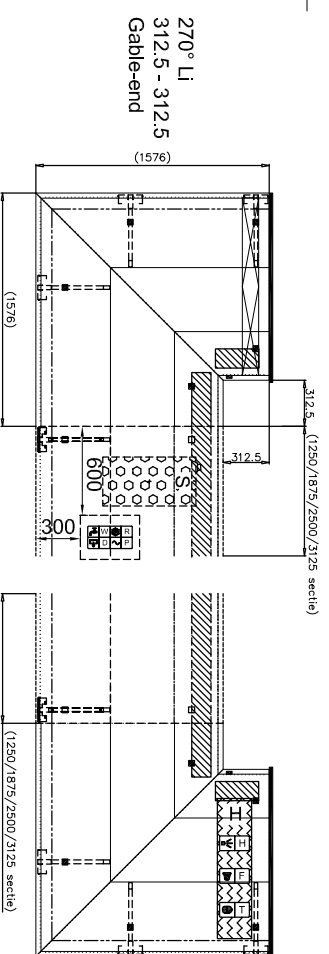


SMEVA Vision MKII

Schematic topview Corners 270° 'Kube' (KU)



consumer side

consumer side

Customer:	R & D	Projection:	Creation date:	10-03-2016
Department:	VISION MKII	Drawn by:	PL	
Project:	VISION MKII	Scale:	1:25	
P R O D U C T S				
Title: VISION MKII FLOORPLAN Corners 270° 'Kube' (KU)				
Size:	A1	Rev.:	00	