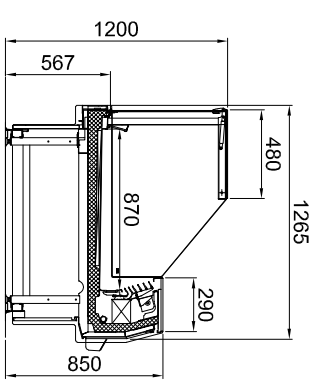
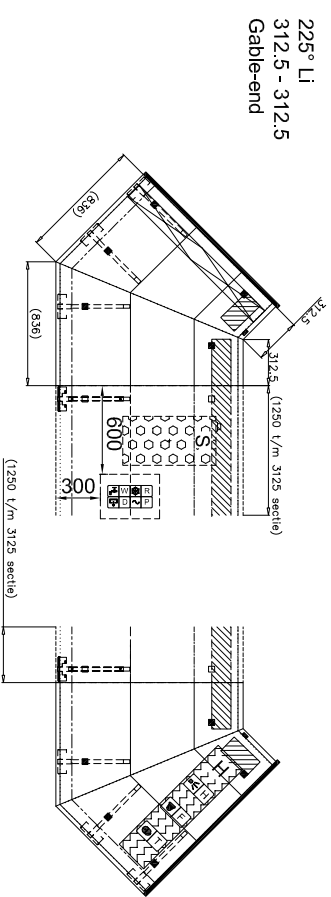


# SMEVA Vision MKII

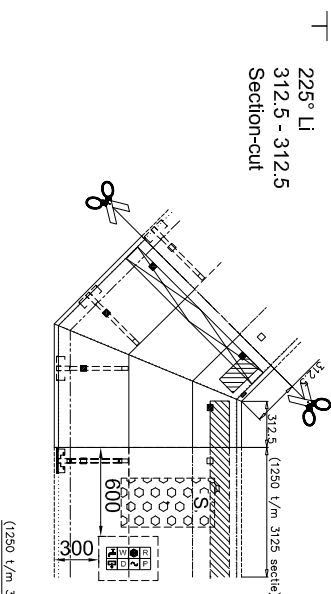
## Schematic topview Corners 225° 'Kube' (KU)



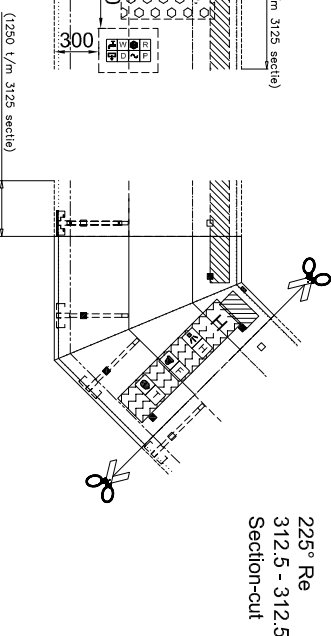
Vision MKII "Assisted"  
(scale 1:20)



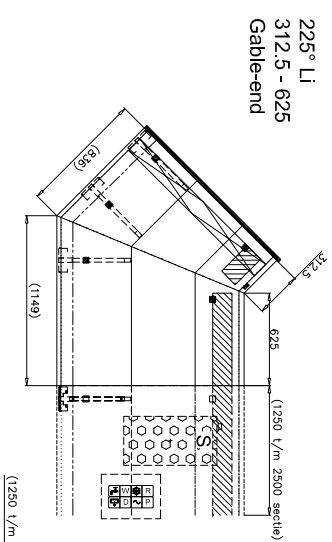
225° Li  
312.5 - 312.5  
Gable-end



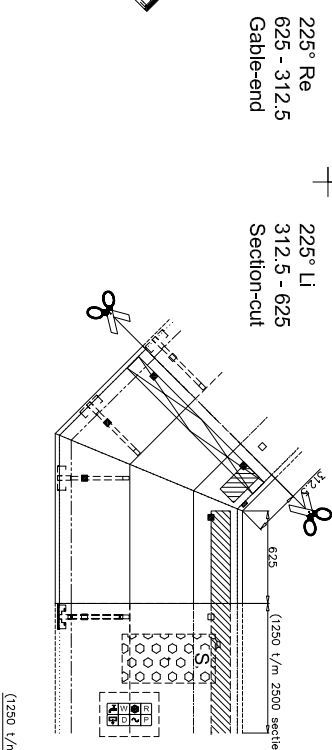
225° Li  
312.5 - 312.5  
Section-cut



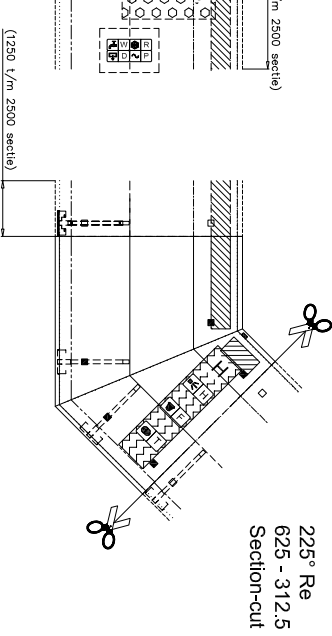
225° Re  
312.5 - 312.5  
Section-cut



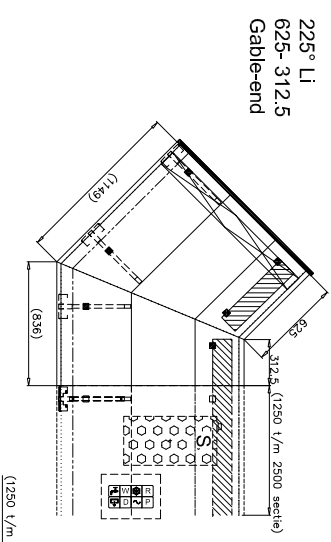
225° Li  
312.5 - 625  
Gable-end



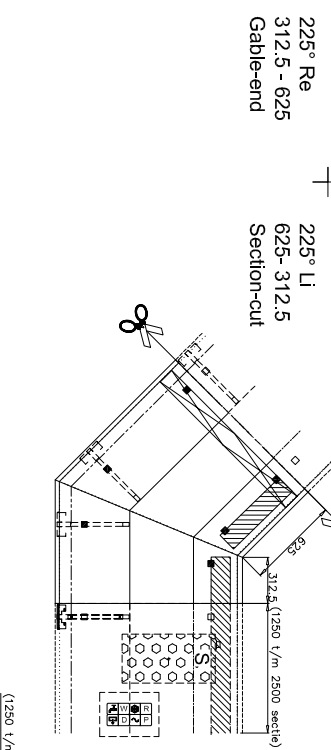
225° Re  
625 - 312.5  
Gable-end



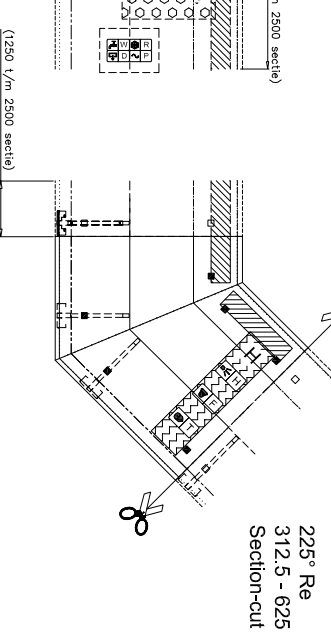
225° Li  
312.5 - 625  
Section-cut



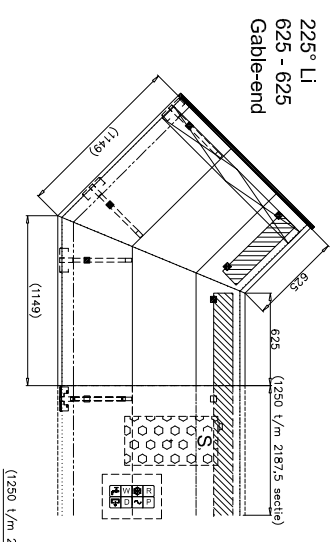
225° Li  
625 - 312.5  
Gable-end



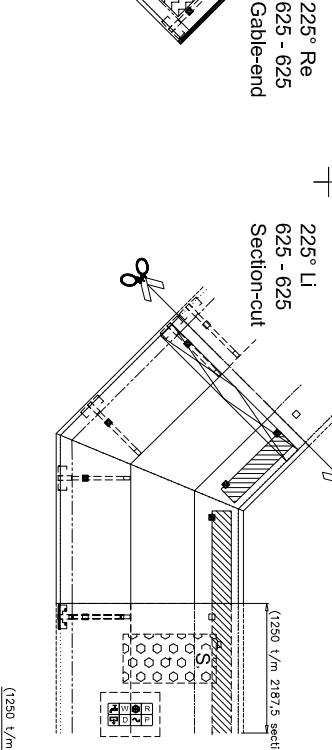
225° Re  
312.5 - 625  
Gable-end



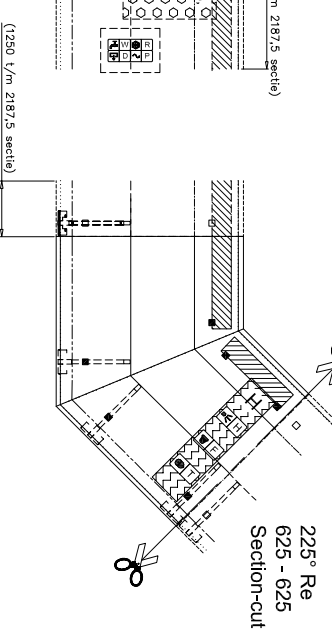
225° Li  
625 - 312.5  
Section-cut



225° Li  
625 - 625  
Gable-end

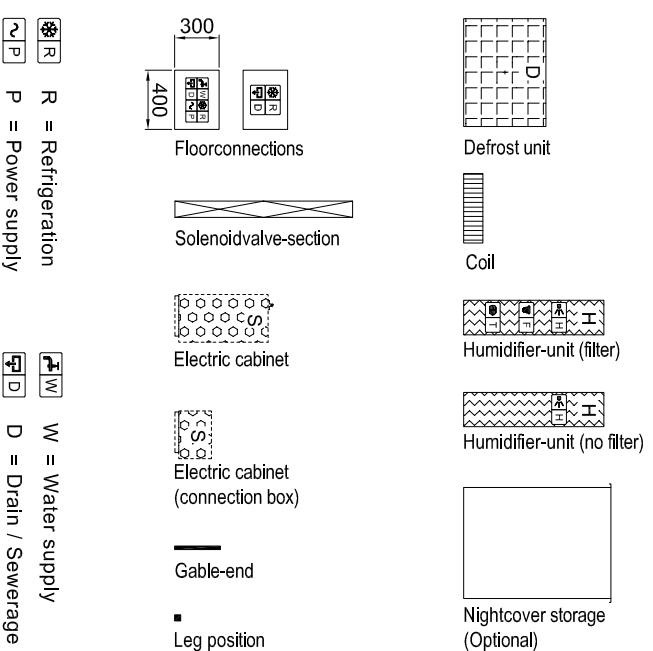


225° Re  
625 - 625  
Gable-end



225° Li  
625 - 625  
Section-cut

**CORNERS UNDER CONSTRUCTION**  
Vision MKII "Self service" Pre-packed"  
(scale 1:20)



consumer side

consumer side

Customer:	Department:	Project:	Creation date:	
R & D	R & D	VISION MKII	10-03-2016	
Projection:	Drawn by:	Scale:		<b>PRODUCTS</b> <small>The drawing remains property of SMEVA. Reproduction and/or use without prior written permission is strictly prohibited.</small>
	PL	1:25		
Title: VISION MKII FLOORPLAN Corners 225° 'Kube' (KU)				Size: A1 Rev.: 01