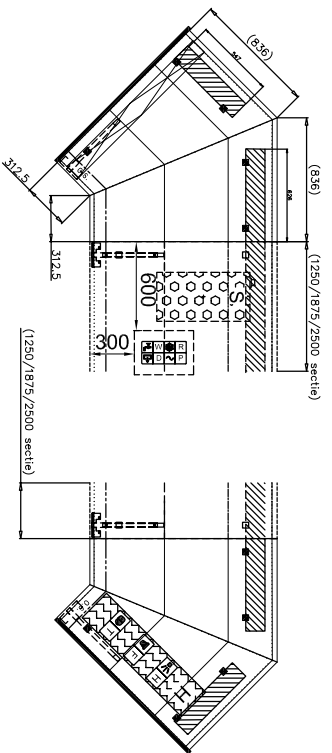


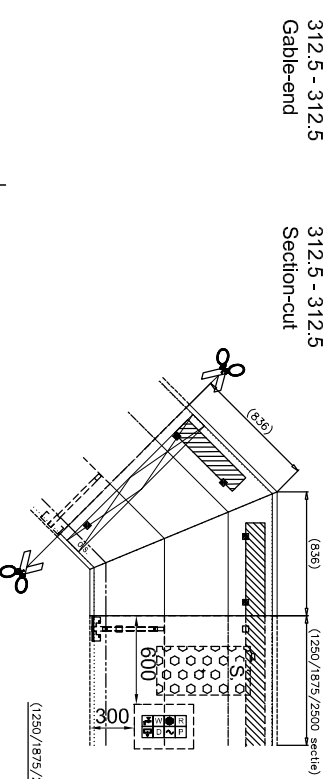
SMEVA Vision MKII

Schematic topview Corners 135° 'Kube' (KU)

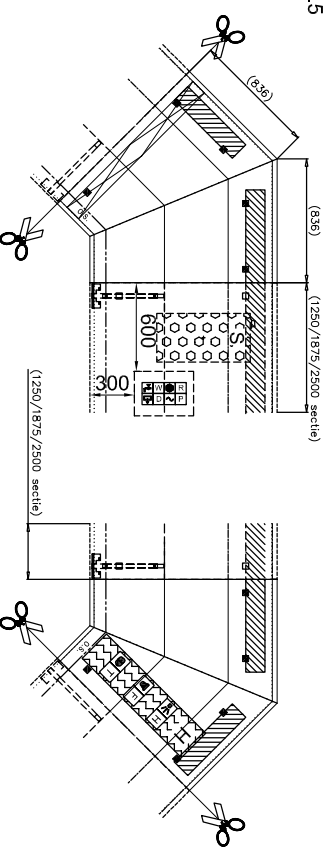
135° Li
312.5 - 312.5
Gable-end



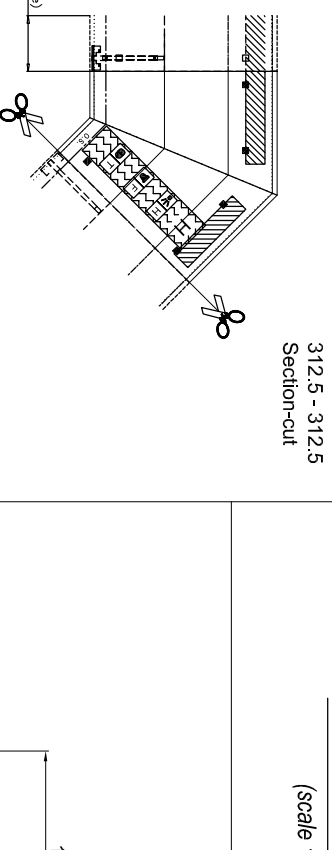
135° Re
312.5 - 312.5
Gable-end



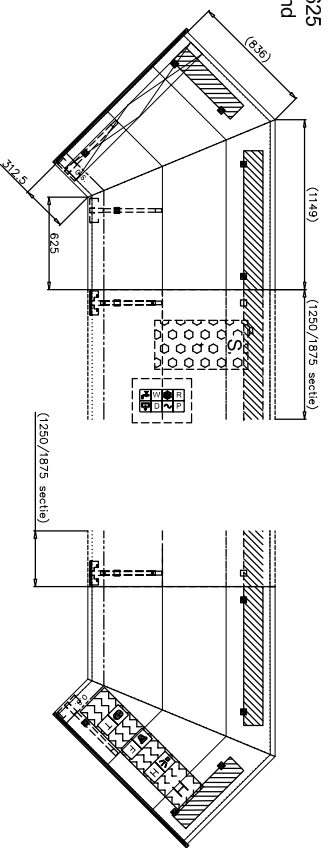
135° Li
312.5 - 312.5
Section-cut



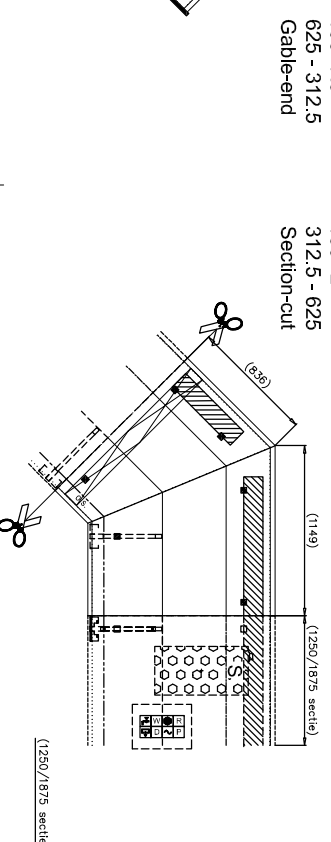
135° Re
312.5 - 312.5
Section-cut



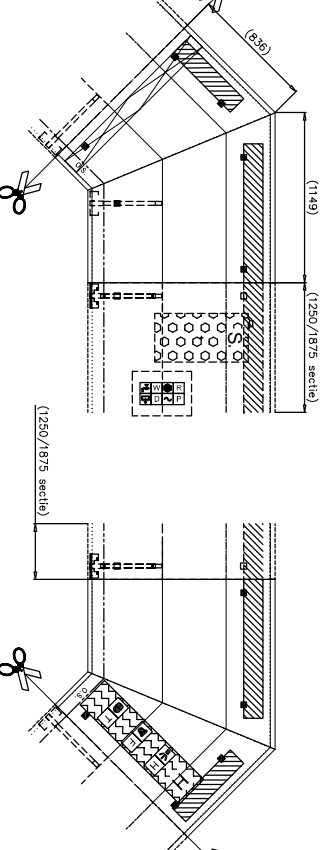
135° Li
312.5 - 625
Gable-end



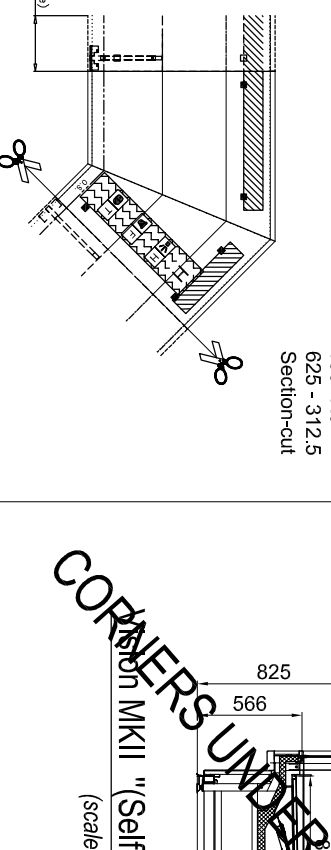
135° Re
625 - 312.5
Gable-end



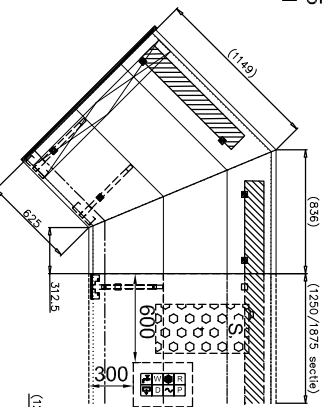
135° Li
312.5 - 625
Section-cut



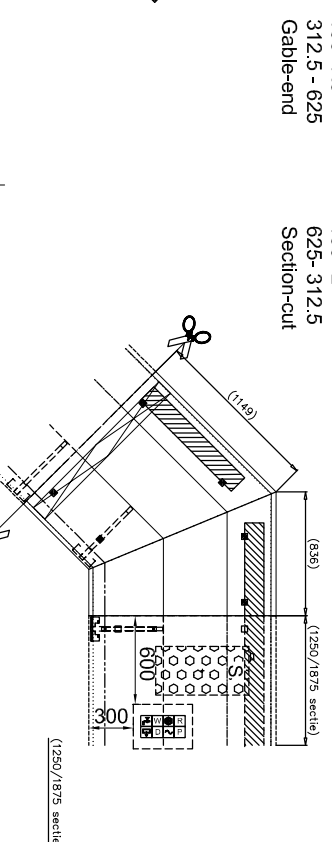
135° Re
625 - 312.5
Section-cut



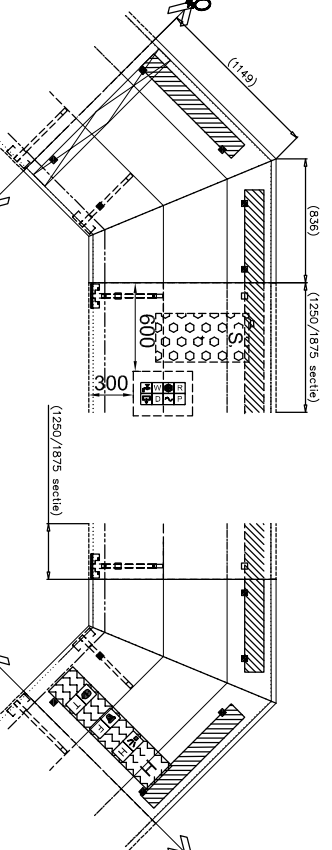
135° Li
625 - 312.5
Gable-end



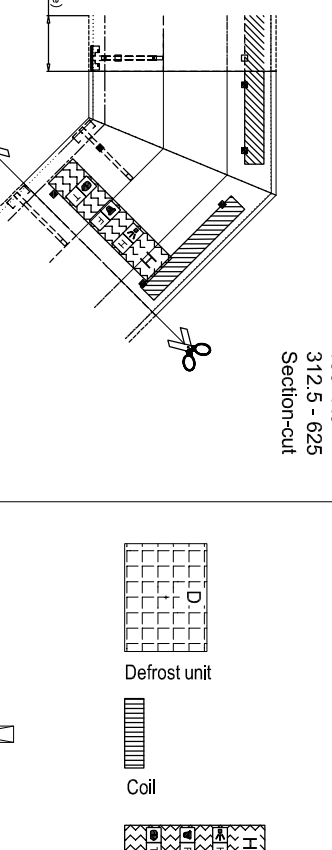
135° Re
312.5 - 625
Gable-end



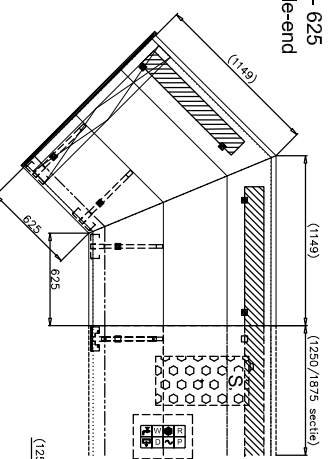
135° Li
625 - 625
Section-cut



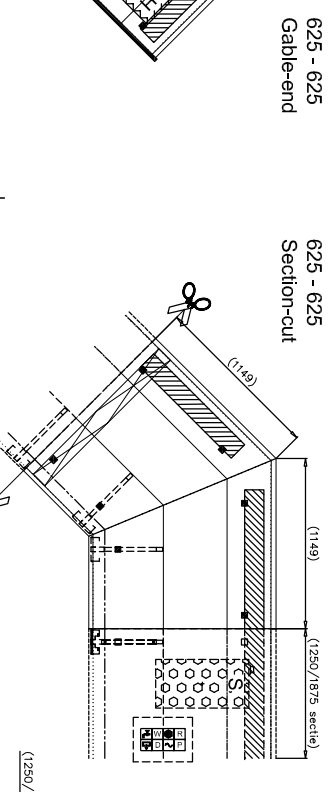
135° Re
312.5 - 625
Section-cut



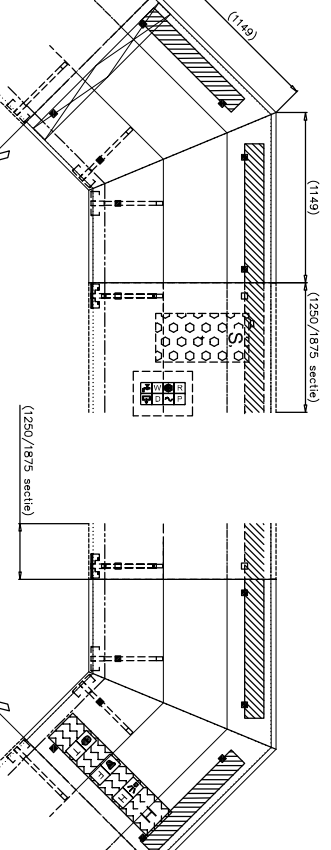
135° Li
625 - 625
Gable-end



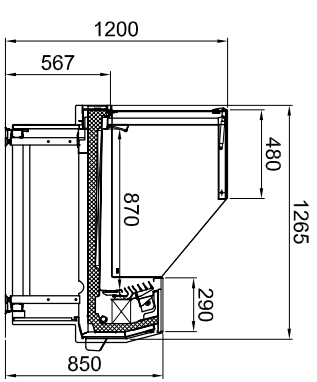
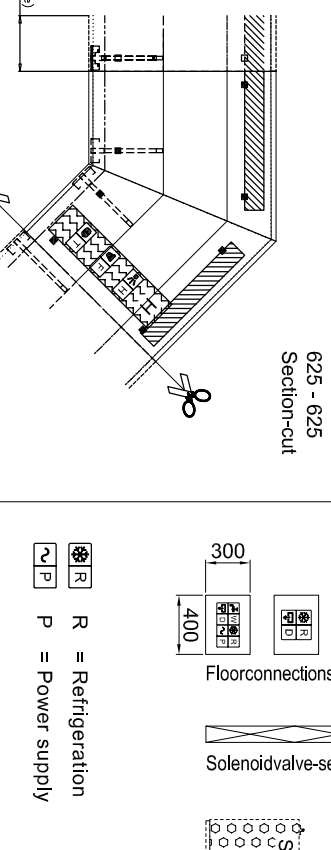
135° Re
625 - 625
Gable-end



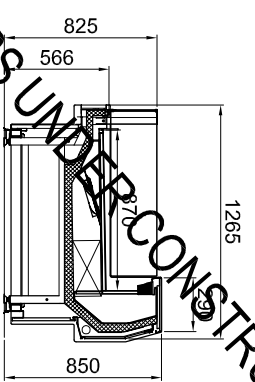
135° Li
625 - 625
Section-cut



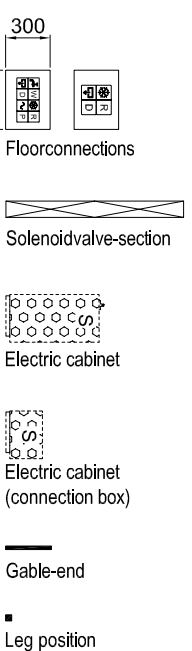
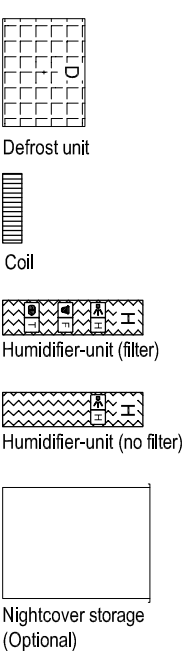
135° Re
625 - 625
Section-cut



Vision MKII "Assisted"
(scale 1:20)



CORNERS UNDER CONSTRUCTION
VISION MKII "Self service" Pre-packed"
(scale 1:20)



R = Refrigeration
P = Power supply
W = Water supply
D = Drain / Sewerage

Customer:	Department:	Project:	Creation date:	
R & D	VISION MKII	10-03-2016		
Projection:	Drawn by:	Scale:		PRODUCTS <small>The drawing remains property of SMEVA and cannot be used for other projects without the written permission of SMEVA.</small>
PL	PL	1:25		
Title: VISION MKII FLOORPLAN Corners 135° 'Kube' (KU)				Size: A1
				Rev.: 00

consumer side

consumer side